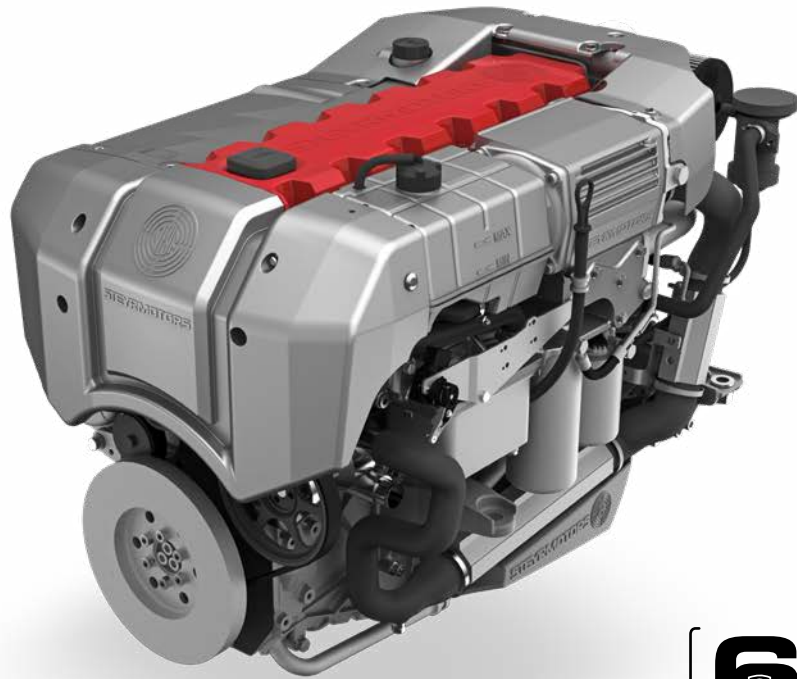


SE 6-CYLINDER MARINE ENGINES

FACTS

- Power range: 88 - 215 kW
- Displacement: 3.2 lt
- Dry weight: 340 kg



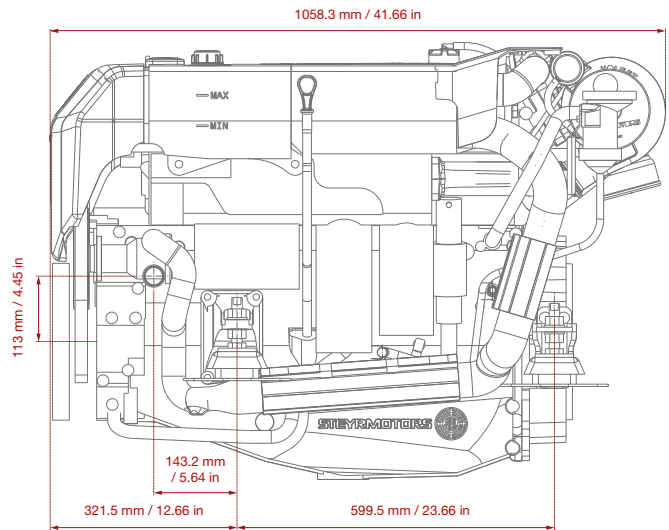
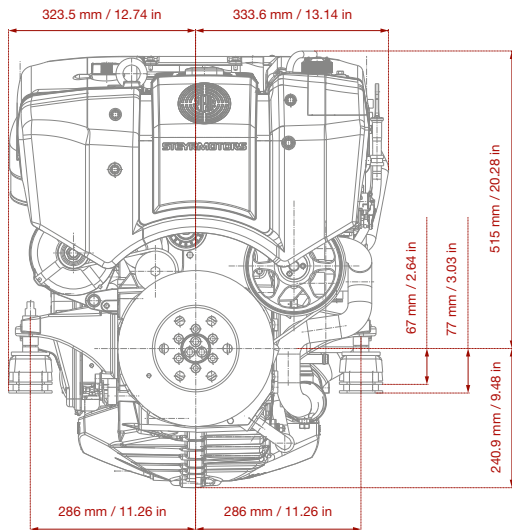
The SE 6-cylinder engine series of STEYR MOTORS has a vast application potential as well as a huge variety of options to individualize the engines. With a remarkable power to weight ratio and a most compact design, the engines of this series are all-rounders on the global commercial and leisure market. Due to its excellent torque and speed range, the still growing SE 6-cylinder series masters all challenges with ease.

MAIN FEATURES

- Perfectly suited for commercial and leisure applications
- Dual circuit cooling system with corrosion resistant materials
- Excellent performance and highest durability
- Compact and lightweight design
- SOLAS approved, EPA Tier III certified, many other certificates
- Different propulsion systems can be installed
- Sterndrive packages with Bravo One, Two and Three available
- Various accessory and installation options & kits available, e.g. fuel density kit, additional alternators, AC compressor, preparation for keel cooling, Marex ECS, SCC 2 etc.



See more applications on our website or contact us for further references.



	SE126E25	SE156E26	SE196E35	SE236E40	SE236S36	SE266E40	SE266S36	SE286E40	SE306J38
RATED POWER (KW/HP)	88/120	110/150	140/190	170/231	170/231	190/258	190/258	205/279	215/292
RATED SPEED (RPM)	2500	2600	3500	4000	3600	4000	3600	4000	3800
MAX. TORQUE (NM @ RPM)	390 @ 1800	450 @ 1800	445 @ 2050	470 @ 2550	540 @ 1800	530 @ 2300	600 @ 1800	570 @ 2550	588 @ 3300
DRY WEIGHT (KG)	340	340	340	340	340	340	340	340	340
RATING*	PL, HO, INT, MCD	PL, HO, INT, MCD	PL, HO, INT, MCD	PL, HO, INT, MCD	PL, HO	PL, HO, INT	PL, HO	PL, HO, INT	PL, HO, INT
CERTIFICATES	SOLAS, RCD II, EPA Tier III, BSO II, ZSUK 2004/26/EG, RMRS, CCS, RINA			SOLAS, RCD II, EPA Tier III, EIAPP/MARPOL IMO Tier II, BSO II, ZSUK 2004/26/EG, RMRS, CCS, RINA			SOLAS, RCD II, EPA Tier III, EIAPP/MARPOL IMO Tier II, ZSUK 2004/26/EG, RMRS, CCS, RINA		
PROPULSION SYSTEMS	T	T	T	T	T	T	T	T	T
T TRANSMISSION			S	S	S	S	S	S	
S STERNDRIVE									
J WATER JET			J	J		J		J	J

* Ratings:

- PL – Pleasure (max. 300 hours/year)
- HO – High Output (max. 300 hours/year)
- INT – Intermittent Duty (max. 1500 hours/year)
- MCD – Medium Continuous Duty (max. 3000 hours/year)

find detailed specification to Ratings in STEYR MOTORS Limited Engine Warranty Conditions

OVERALL CHARACTERISTICS

- Direct injection Diesel engines
- 4-stroke, turbocharged
- 3.2 lt displacement
- 85 mm bore, 94 mm stroke
- Dual circuit cooling / Internal & Fresh water cooling
- CAN bus J1939